

NONMETALLIC CABLE BOXES

Applications

- RACO® nonmetallic cable boxes are used in branch circuit wiring to splice wires
- Accommodate wiring devices such as switches and receptacles
- Provide excellent protection for wiring system or devices


Product Features

- RACO® nonmetallic cable boxes provide the installer with a cost alternative that is lightweight and easy to install
- Single-gang boxes have knockouts that break out quickly and cleanly for faster installation
- Positioning tabs for fast accurate mounting on studs or joists

Standard Material

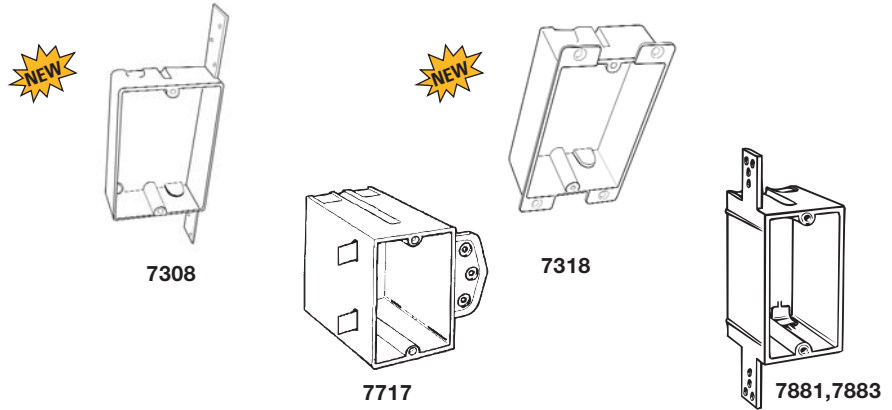
- Made of heavy-duty PVC (Polyvinyl chloride) compound

Compliances

-  – Standard 514-C, File E104681 and R9320
- Boxes are listed for their Electrical Applications (Electrical Codes), UL Green Book
- Boxes are listed for mechanical properties, including the 2-hour Fire Rating, (building codes) UL Orange Book
- Federal Manufacturer's number 28488

Reference Data

- Mounting holes U.S. Patent 4,580,689; Canada Patent 1,237,515
- Hex device holes U.S. Patent 4,666,055; Canada Patent 1,260,599

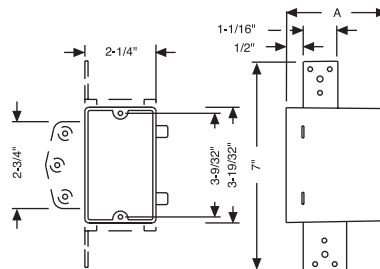


ORDERING INFORMATION - DIMENSIONS

SINGLE-GANG WITH BRACKETS FOR METAL OR WOOD STUDS FOR NONMETALLIC SHEATHED CABLE					
CATALOG NUMBER	DESCRIPTION/ SETBACK	CABLE KNOCKOUTS	CU. IN. CAP.	STD. PKG.	UPC BAR CODE
7308	Bracketed, shallow, 3/8" setback, 3-1/2"H x 2-3/8"W x 1-1/4"D	2	8.0	25	
7318	Flanged, shallow, 3-1/2"H x 2-3/8"W x 1-1/4"D	2	8.0	25	
7717	Face mount, 1/2" setback	4	18.0	100	
7881	Side mount, 5/8" setback	4	18.0	50	
7883	Side mount, 5/8" setback	4	20.3	50	

DIMENSIONS	
CATALOG NUMBER	A
7717	2-27/32"
7881	2-27/32"
7883	3-3/16"

CAT. NOS.
7717, 7881, 7883



RACO NONMETALLIC CABLE BOXES