

Applications

- RACO® nonmetallic cable boxes are used in branch circuit wiring to splice wires
- Accommodate wiring devices such as switches and receptacles
- Provide excellent protection for wiring system or devices


Product Features

- RACO® nonmetallic cable boxes provide the installer with a cost alternative that is lightweight and easy to install
- Self-clamping wire entry clamps
- Positioning tabs for fast accurate mounting on studs or joists
- Oversized nail support that resists hammer impact

Standard Material

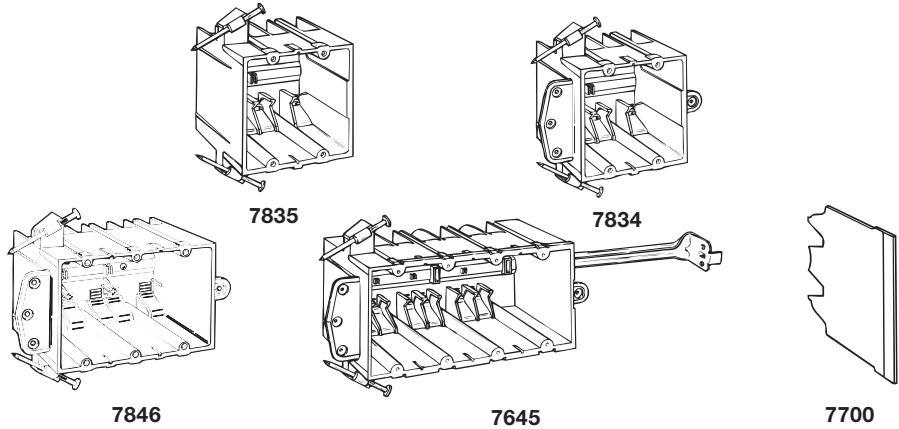
- Made of heavy-duty PVC (Polyvinyl chloride) compound

Compliances

-  – Standard 514-C, File E104681 and R9320
- Boxes are listed for their Electrical Applications (Electrical Codes), UL Green Book
- Boxes are listed for mechanical properties, including the 2-hour Fire Rating (except 7645), (building codes) UL Orange Book
- Federal Manufacturer's number 28488

Reference Data

- Cable clamp U.S. Patent 4,605,816; Canada Patent 1,233,900
- Mounting holes U.S. Patent 4,580,689; Canada Patent 1,237,515
- Hex device holes U.S. Patent 4,666,055; Canada Patent 1,260,599
- Four-gang box support U.S. Patent 5,065,968



ORDERING INFORMATION - DIMENSIONS

TWO-GANG WITH CAPTIVE NAILS FOR WOOD STUDS FOR NONMETALLIC SHEATHED CABLE					
CATALOG NUMBER	DESCRIPTION	CABLE CLAMPS	CU. IN. CAP.	STD. PKG.	UPC BAR CODE
7835	Nails	8	32.5	20	

MULTI-GANG WITH CAPTIVE NAILS FOR METAL OR WOOD STUDS FOR NONMETALLIC SHEATHED CABLE					
CATALOG NUMBER	DESCRIPTION	CABLE CLAMPS	CU. IN. CAP.	STD. PKG.	UPC BAR CODE
7834	Two-gang, nails, 1/2" setback	8	34.3	20	
7846	Three-gang, nails, 1/2" setback	12	45.0	10	
7645	Four-gang, nails, 1/2" setback brkt. support	14	59.0	10	

LOW VOLTAGE PARTITION				
CATALOG NUMBER	DESCRIPTION	CU. IN. CAP.	STD. PKG.	UPC BAR CODE
7700	For two- & multi-gang switch boxes	—	20	

DIMENSIONS			
CATALOG NUMBER	GANG	WIDTH	DEPTH
7835	2	4"	2-29/32"
7834	2	4"	3"
7846	3	5-13/16"	2-21/32"
7645	4	7-5/8"	2-5/8"

TWO- & MULTI-GANG CABLE BOX
CAT. NOS. 7834, 7835, 7645, 7846

