

SWITCH BOXES TWO-GANG - 2-1/8" DEEP

Applications

- Installers can save time and cut installation costs with two-gang switch boxes
- These larger capacity boxes are ideal for today's designs where there is a need to install two devices at one location
- Drawn boxes are ideal for exposed work applications (surface mounted wiring)

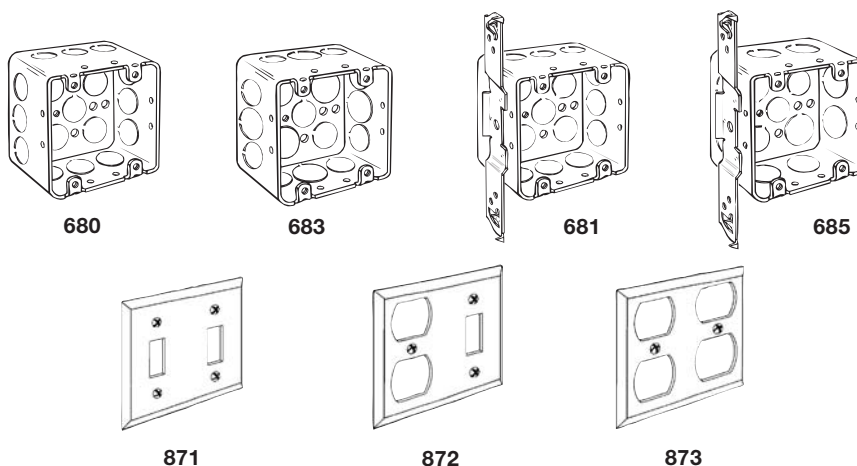
Product Features

- 681, 685 bracketed boxes are set back 1/2" eliminating the need for a plaster ring
- RACO® offers a variety of labor saving mounting brackets that allow for easy positioning of box along studs or joists
- See Box Selection section in the front of this catalog for complete description of bracket types and features
- Covers are unpainted and manufactured from pre-galvanized steel

Compliances

-  – File E195978

All RACO® single gang, two gang, 4" square, and single gang gangable U.L. listed steel boxes are acceptable for use in 2-hour fire rated walls. For additional information, consult U.L. "Fire Resistance Directory" or the U.L. website at www.ul.com



ORDERING INFORMATION - DIMENSIONS

4" SQUARE TWO DEVICE SWITCH BOX - 2-1/8" DEEP - DRAWN WITH CONDUIT KO'S - 30.3 CUBIC INCHES					
CATALOG NUMBER	DESCRIPTION BRACKET & SETBACK	KNOCKOUTS		STD. PKG.	UPC BAR CODE
		SIDES COND.	BOTTOM COND.		
680	—	12-1/2"	5-1/2"	25	
683	—	8-1/2", 4-3/4"	3-1/2", 2-3/4"	25	
681	TS brkt., 1/2"	9-1/2"	5-1/2"	25	
685	TS brkt., 1/2"	6-3/4"	3-1/2", 2-3/4"	25	

4" SQUARE - TWO-DEVICE WALL PLATES*			
CATALOG NUMBER	DESCRIPTION	STD. PKG.	UPC BAR CODE
871	2 Toggle switches	25	
872	1 Dup. & 1 Toggle switch	25	
873	2 Duplex receptacles	25	

*Cover face surface is 1/4" from wall when installed

DIMENSIONS					
CATALOG NUMBER	A	B	C	D	E
680	4"	4"	2-1/8"	—	—
683	4"	4"	2-1/8"	—	—
681	4"	4"	2-1/8"	7"	4-9/32"
685	4"	4"	2-1/8"	7"	4-9/32"

TWO-GANG SWITCH BOXES

