

SWITCH BOXES SINGLE-GANG - 2", 2-1/8" AND 2-1/4" DEEP


Application


- Switch boxes are used to house wiring devices such as switches or outlets

Product Features

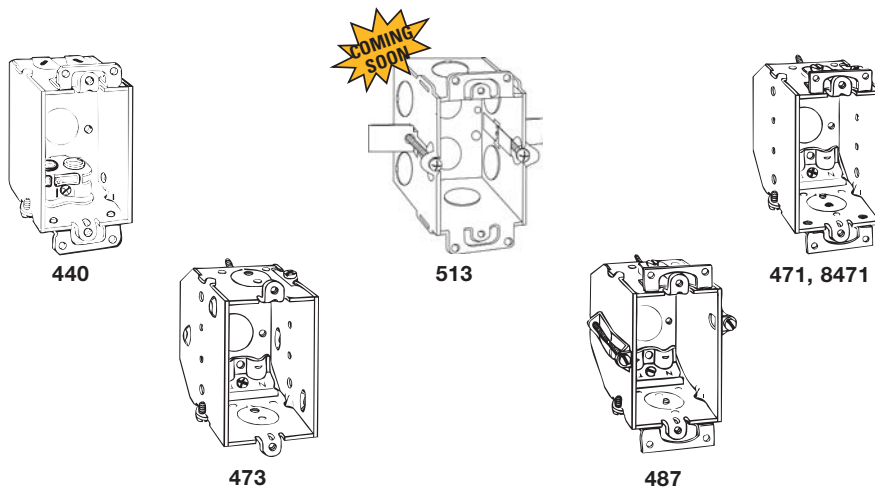
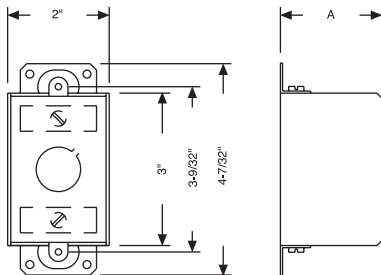
- Gangable boxes offer the option of constructing a box to hold two or more devices
- Beveled corner boxes are designed to prevent the clamp screws from protruding into back wall
- Plaster ears allow box to be used in "old work" applications

Compliances

-  - File E195978 (Cat. #513 not UL Listed)

 All RACO® single gang, two gang, 4" square, and single gang gangable U.L. listed steel boxes are acceptable for use in 2-hour fire rated walls. For additional information, consult U.L. "Fire Resistance Directory" or the U.L. website at www.ul.com

STEEL SWITCH BOXES



ORDERING INFORMATION - DIMENSIONS

3" X 2" SWITCH BOX - 2" DEEP - GANGABLE WITH ARMORED CABLE/METAL CLAD/FLEX CLAMPS - 10.0 CUBIC INCHES							
CATALOG NUMBER	DESCRIPTION BRACKET & SETBACK	SIDE COND.	KNOCKOUTS ENDS		BOTTOM COND.	STD. PKG.	UPC BAR CODE
			CABLE	COND.			
440	Ears	—	4	—	1-1/2"	50	—

3" X 2" SWITCH BOX - 2-1/8" DEEP - NONGANGABLE - "SNAP IN CLIP" "OLD WORK" WITH CONDUIT KO'S - 11.0 CUBIC INCHES						
CATALOG NUMBER	DESCRIPTION BRACKET & SETBACK	KNOCKOUTS			STD. PKG.	UPC BAR CODE
		SIDES	ENDS	BOTTOM		
513	Old Work With Snap In Clips And Ears	2-1/2"	1-1/2"	2-1/2"	24	

3" X 2" SWITCH BOXES - 2-1/4" DEEP - GANGABLE - BEVELED CORNERS WITH NONMETALLIC SHEATHED CABLE CLAMPS - 10.5 CUBIC INCHES							
CATALOG NUMBER	DESCRIPTION BRACKET & SETBACK	SIDE COND.	KNOCKOUTS ENDS		BOTTOM COND.	STD. PKG.	UPC BAR CODE
			CABLE	COND.			
471	Ears	—	4	—	1-1/2"	50	—
8471	Ears	—	4	—	1-1/2"	50	
473	Level bumps	—	4	2-1/2"	1-1/2"	20	
487	Old work, Griptite	—	4	—	1-1/2"	20	

DIMENSIONS	
CATALOG NUMBER	A
440	2"
471, 8471	2-1/4"
473	2-1/4"
487	2-1/4"