

### Application

- Switch boxes are used to house wiring devices such as switches or outlets

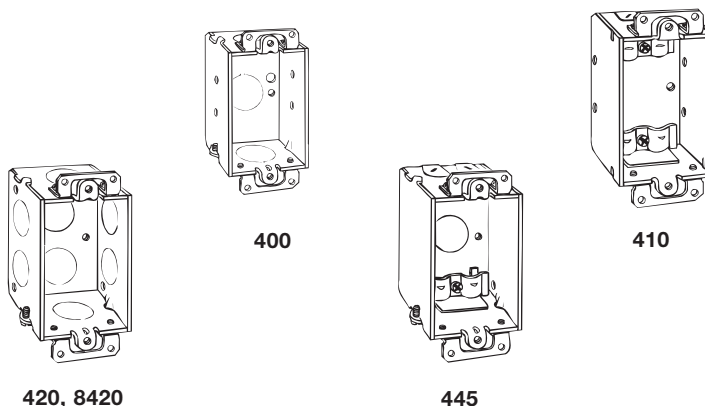
### Product Features

- Gangable switch boxes offer the option of constructing a box to hold two or more devices
- Plaster ears allow box to be used in "old work" applications

### Compliances

-  - File E195978

All RACO® single gang, two gang, 4" square, and single gang gangable U.L. listed steel boxes are acceptable for use in 2-hour fire rated walls. For additional information, consult U.L. "Fire Resistance Directory" or the U.L. website at [www.ul.com](http://www.ul.com)



### ORDERING INFORMATION - DIMENSIONS

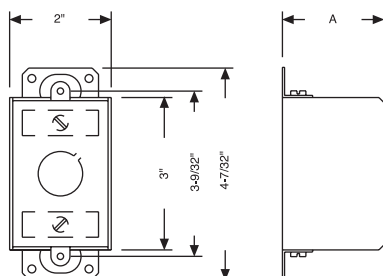
3" x 2" SWITCH BOX - 1-1/2" DEEP - GANGABLE WITH CONDUIT KO'S - 7.5 CUBIC INCHES						
CATALOG NUMBER	DESCRIPTION BRACKET & SETBACK	KNOCKOUTS			STD. PKG.	UPC BAR CODE
		SIDES	ENDS	BOTTOM		
400	Ears	—	2-1/2"	1-1/2"	20	

3" x 2" SWITCH BOX - 1-1/2" DEEP - NONGANGABLE WITH NONMETALLIC SHEATHED CABLE CLAMPS - 7.5 CUBIC INCHES							
CATALOG NUMBER	DESCRIPTION BRACKET & SETBACK	SIDES COND.	ENDS		BOTTOM COND.	STD. PKG.	UPC BAR CODE
			CABLE	COND.			
410	Ears	—	4	—	—	50	

3" x 2" SWITCH BOX - 2" DEEP - GANGABLE WITH CONDUIT KO'S - 10.0 CUBIC INCHES						
CATALOG NUMBER	DESCRIPTION BRACKET & SETBACK	KNOCKOUTS			STD. PKG.	UPC BAR CODE
		SIDES	ENDS	BOTTOM		
420	Ears	4-1/2"	2-1/2"	2-1/2"	50	—
8420	Ears	4-1/2"	2-1/2"	2-1/2"	50	

3" x 2" SWITCH BOX - 2" DEEP - GANGABLE WITH NONMETALLIC SHEATHED CABLE CLAMPS - 10.0 CUBIC INCHES							
CATALOG NUMBER	DESCRIPTION BRACKET & SETBACK	SIDES COND.	ENDS		BOTTOM COND.	STD. PKG.	UPC BAR CODE
			CABLE	COND.			
445	Ears	—	4	—	1-1/2"	50	—

### STEEL SWITCH BOXES



DIMENSIONS	
CATALOG NUMBER	A
400	1-1/2"
410	1-1/2"
420, 8420	2"
445	2"