

4-11/16" SQUARE BOXES
1-1/2" AND 2-1/8" DEEP

RACO STEEL BOXES
 & COVERS

Applications

- Boxes are used for a wide variety of industrial applications where larger- sized conductors or wiring devices are needed and more volume is required
- Drawn boxes are ideal for exposed work applications (surface mounted wiring)

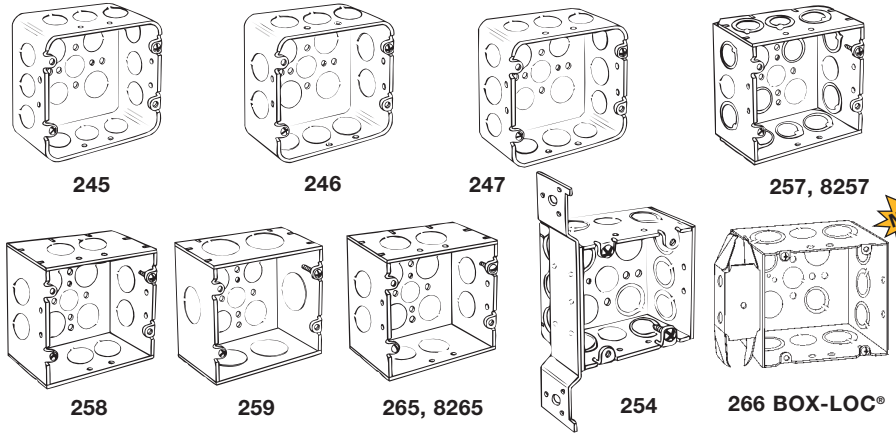
Product Features

- RACO® offers a variety of labor saving mounting brackets that allow for easy positioning of box along studs or joists
- See Box Selection section in the front of this catalog for complete description of bracket types and features
- Combination screw heads provide for faster installation
- TKO® knockouts offer greater flexibility with RACO® patented combination 1/2" and 3/4" knockout
- TKO® knockouts allow for design and installation flexibility

Compliance

-  – File E195978

250V Per U.L. 514-A, suitable for use without a bonding jumper in circuits above or below 250 volts

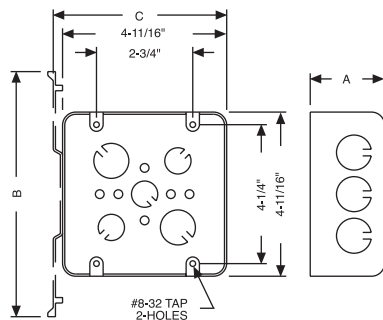


ORDERING INFORMATION - DIMENSIONS

4-11/16" SQUARE BOXES - 1-1/2" DEEP - DRAWN WITH CONDUIT KO'S - 29.5 CUBIC INCHES					
CATALOG NUMBER	DESCRIPTION BRACKET & SETBACK	KNOCKOUTS		STD. PKG.	UPC BAR CODE
		SIDES COND.	BOTTOM COND.		
245	—	12-1/2"	3-1/2", 2-3/4"	25	—
246	—	10-3/4"	3-1/2", 2-3/4"	25	—
247	—	8-1/2", 4-3/4"	3-1/2", 2-3/4"	25	—

4-11/16" SQUARE BOXES - 2-1/8" DEEP - WELDED WITH CONDUIT KO'S - 42.0 CUBIC INCHES					
CATALOG NUMBER	DESCRIPTION BRACKET & SETBACK	KNOCKOUTS		STD. PKG.	UPC BAR CODE
		SIDES COND.	BOTTOM COND.		
250V 257	—	2-1/2", 10-TKO®	1-1/2", 2-3/4", 2-TKO	25	—
250V 8257	—	2-1/2", 10-TKO®	1-1/2", 2-3/4", 2-TKO®	25	
258	—	8-1"	3-1/2", 2-3/4"	25	—
259	—	6-11/4"	3-1/2", 2-3/4"	25	—
265	—	4-3/4", 4-1"	3-1/2", 2-3/4"	25	—
8265	—	4-3/4", 4-1"	3-1/2", 2-3/4"	25	
250V 254	FM brkt.	2-1/2", 7-TKO®	1-1/2", 2-3/4", 2-TKO®	25	
250V 266	BOX-LOC® MS flush	2-1/8", 10-TKO®	1-1/2", 2-3/4", 2-TKO®	25	

4-11/16" SQUARE BOXES



DIMENSIONS			
CATALOG NUMBER	A	B	C
245	1-1/2"	—	—
246	1-1/2"	—	—
247	1-1/2"	—	—
257, 8257	2-1/8"	—	—
258	2-1/8"	—	—
259	2-1/8"	—	—
265, 8265	2-1/8"	—	—
254	2-1/8"	7-5/8"	5-1/16"
266	2-1/8"	—	—

