

Application

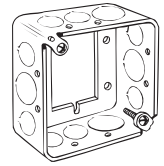
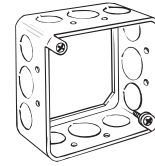
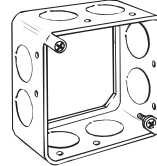
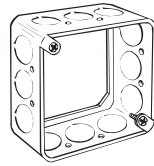
- Extension rings provide a means for adding additional cubic capacity or as an outlet box for surface conduit

Product Feature

- Combination screw heads provide for faster installation

Compliance

-  – File E195978



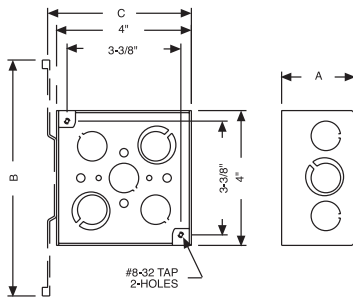
201, 8201

202

203, 8203

187

4" SQUARE EXTENSION RINGS



ORDERING INFORMATION - DIMENSIONS

4" SQUARE EXTENSION RINGS - 1-1/2" DEEP - DRAWN WITH CONDUIT KO'S - 22.5 CUBIC INCHES

CATALOG NUMBER	DESCRIPTION BRACKET & SETBACK	KNOCKOUTS		STD. PKG.	UPC BAR CODE
		SIDES COND.	BOTTOM COND.		
201	—	12-1/2"	—	50	—
8201	—	12-1/2"	—	25	
202	—	8-3/4"	—	50	—
203	—	8-1/2", 4-3/4"	—	50	—
8203	—	8-1/2", 4-3/4"	—	50	
187	Attaches to switch boxes	8-1/2", 4-3/4"	—	50	

DIMENSIONS

CATALOG NUMBER	A	B	C
201, 8201	1-1/2"	—	—
202	1-1/2"	—	—
203, 8203	1-1/2"	—	—
187	1-1/2"	—	—

