

**4" SQUARE BOXES
1-1/2" DEEP**

RACO STEEL BOXES
& COVERS



Applications

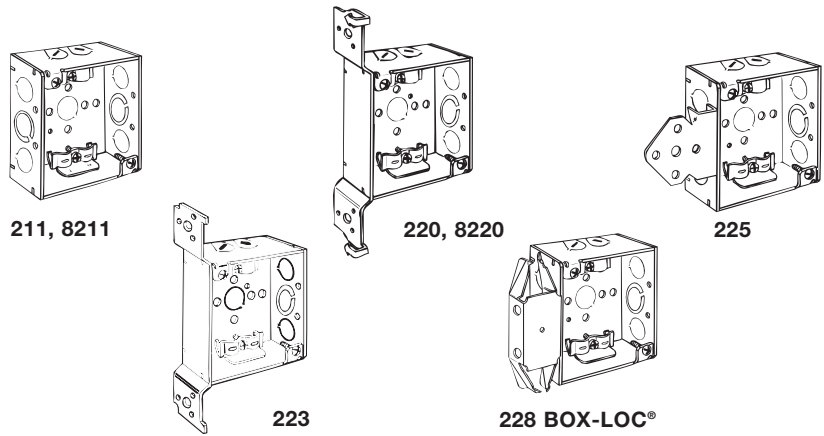
- Boxes are installed in ceilings or walls for lighting fixtures, switches or receptacles
- Square boxes are used where multiple conductor runs are split into two or more directions to bring power to a number of electrical devices

Product Features

- RACO® offers a variety of labor saving mounting brackets that allow for easy positioning of box along studs or joists
- See Box Selection section in the front of this catalog for complete description of bracket types and features
- BOX-LOC® (MS) Bracket Box is a snap to install. Place the bracket on the open side of the stud first. Slots in the bracket engage the lip of the stud and actually crimp it as you press the bracket on the stud. Barbed hooks dig into the flat side of the stud, quickly locking it in place
- Combination screw heads provide for faster installation
- TKO® knockouts offer greater flexibility with RACO® patented combination 1/2" and 3/4" knockout
- TKO® knockouts allow for design and installation flexibility

Compliances

-  – File E195978
-  All RACO® single gang, two gang, 4" square, and single gang gangable U.L. listed steel boxes are acceptable for use in 2-hour fire rated walls. For additional information, consult U.L. "Fire Resistance Directory" or the U.L. website at www.ul.com
- **250V** Per U.L. 514-A, suitable for use without a bonding jumper in circuits above or below 250 volts



ORDERING INFORMATION - DIMENSIONS

4" SQUARE - 1-1/2" DEEP - WELDED WITH NONMETALLIC SHEATHED CABLE CLAMPS - 21.0 CUBIC INCHES						
CATALOG NUMBER	DESCRIPTION BRACKET & SETBACK	KNOCKOUTS			STD. PKG.	UPC BAR CODE
		SIDES		BOTTOM		
		CABLE	COND.	COND.		
250V 211	—	4	4-1/2", 2 - TKO®	1-1/2"	50	—
250V 8211	—	4	4-1/2", 2 - TKO®	1-1/2"	50	
250V 220	FH, flush	4	2-1/2", 1 - TKO®	1-1/2"	25	—
250V 8220	FH, flush	4	2-1/2", 1 - TKO®	1-1/2"	25	
250V 225	B, flush	4	2-1/2", 1 - TKO®	1-1/2"	25	—
250V 223	FM, flush	4	2-1/2", 1 - TKO®	1-1/2"	25	
250V 228	BOX-LOC® (MS) flush	4	2-1/2", 1 - TKO®	1-1/2"	25	

DIMENSIONS			
CATALOG NUMBER	A	B	C
211, 8211	1-1/2"	—	—
220, 8220	1-1/2"	7-3/8"	4-3/8"
225	1-1/2"	2"	6"
223	1-1/2"	6-7/8"	4-3/8"
228	1-1/2"	4-5/8"	5-1/2"

4" SQUARE BOXES

