

**4" SQUARE BOXES**  
**1-1/2" DEEP**

RACO STEEL BOXES  
& COVERS

**Applications**


- Boxes are installed in ceilings or walls for lighting fixtures, switches or receptacles
- Square boxes are used where multiple conductor runs are split into two or more directions to bring power to a number of electrical devices

**Product Features**

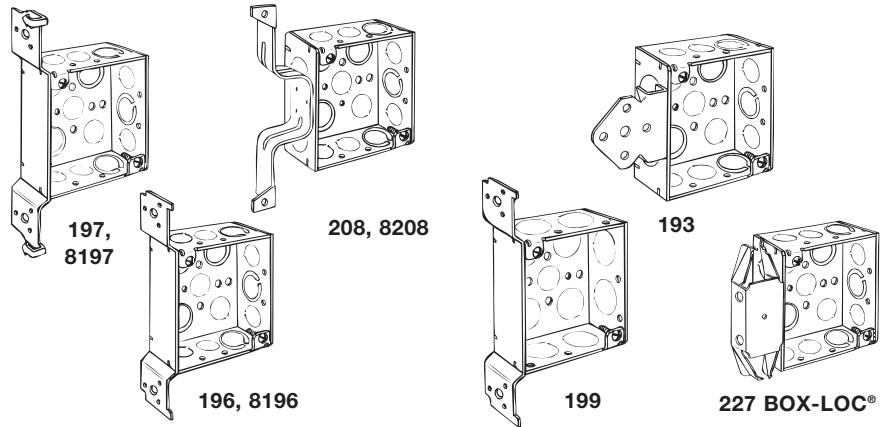
- RACO® offers a variety of labor saving mounting brackets that allow for easy positioning of box along studs or joists
- See Box Selection section in the front of this catalog for complete description of bracket types and features
- BOX-LOC® (MS) Bracket Box is a snap to install. Place the bracket on the open side of the stud first. Slots in the bracket engage the lip of the stud and actually crimp it as you press the bracket on the stud. Barbed hooks dig into the flat side of the stud, quickly locking it into place
- TKO® knockouts offer greater flexibility with RACO® patented combination 1/2" and 3/4" knockout
- TKO® knockouts allow for design and installation flexibility

**Compliances**

-  – File E195978

 All RACO® single gang, two gang, 4" square, and single gang gangable U.L. listed steel boxes are acceptable for use in 2-hour fire rated walls. For additional information, consult U.L. "Fire Resistance Directory" or the U.L. website at [www.ul.com](http://www.ul.com)

**250V** Per U.L. 514-A, suitable for use without a bonding jumper in circuits above or below 250 volts



**ORDERING INFORMATION - DIMENSIONS**

4" SQUARE BRACKETED BOXES - 1-1/2" DEEP - WELDED WITH CONDUIT KO'S - 21.0 CUBIC INCHES					
CATALOG NUMBER	DESCRIPTION BRACKET & SETBACK	KNOCKOUTS		STD. PKG.	UPC BAR CODE
		SIDES COND.	BOTTOM COND.		
<b>250V</b> 197	FH, flush	6-1/2", 3 - TKO®	3-1/2", 2 - TKO®	25	—
<b>250V</b> 8197	FH, flush	6-1/2", 3 - TKO®	3-1/2", 2 - TKO®	25	
<b>250V</b> 208	W, flush	6-1/2", 3 - TKO®	3-1/2", 2 - TKO®	25	—
<b>250V</b> 8208	W, flush	6-1/2", 3 - TKO®	3-1/2", 2 - TKO®	25	
<b>250V</b> 193	B, flush	6-1/2", 4 - TKO®	3-1/2", 2 - TKO®	25	—
<b>250V</b> 196	FM, flush	6-1/2", 3 - TKO®	3-1/2", 2 - TKO®	25	—
<b>250V</b> 8196	FM, flush	6-1/2", 3 - TKO®	3-1/2", 2 - TKO®	25	
<b>250V</b> 199	FM, flush	6-3/4"	1-1/2", 4-3/4"	25	—
<b>250V</b> 227	BOX-LOC® (MS) flush	6-1/2", 3 - TKO®	3-1/2", 2 - TKO®	25	

DIMENSIONS			
CATALOG NUMBER	A	B	C
197, 8197	1-1/2"	7-3/8"	4-3/8"
208, 8208	1-1/2"	6-13/16"	5-15/16"
193	1-1/2"	2"	6"
196, 8196	1-1/2"	6-7/8"	4-3/8"
199	1-1/2"	6-7/8"	4-3/8"
227	1-1/2"	4-5/8"	5-1/2"

**4" SQUARE BOXES**

