

**OCTAGON BOXES**  
**1-1/2" AND 2-1/8" DEEP**

**Application**

- Octagon boxes are used in the installation of ceiling or wall lighting fixtures

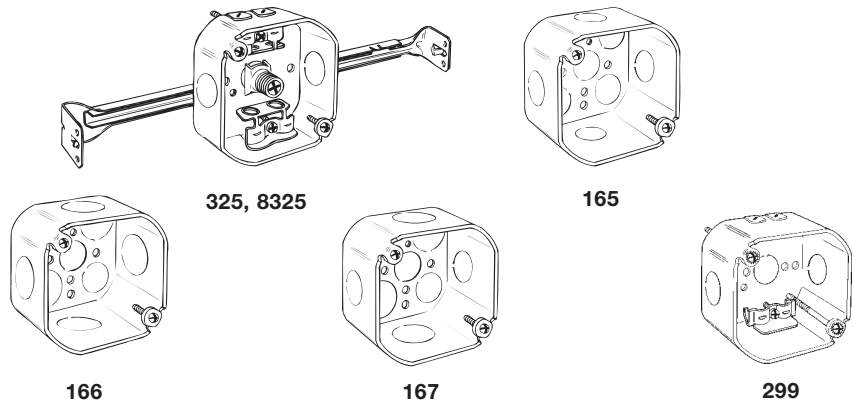
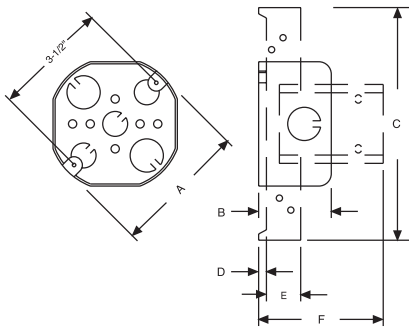
**Product Features**

- Fixture bar hanger allows box to be located anywhere along length of bar
- RACO® 325, 8325 box includes 3/8" trade sized stud to accommodate fixture stem

**Compliance**

-  – File E195978

**4" OCTAGON BOXES**



RACO STEEL BOXES & COVERS

**ORDERING INFORMATION - DIMENSIONS**

4" OCTAGON BOX WITH BAR HANGER – 1-1/2" DEEP – DRAWN WITH ARMORED CABLE/METAL CLAD/FLEX CLAMPS – 15.5 CUBIC INCHES								
CATALOG NUMBER	DESCRIPTION BRACKET & SETBACK	KNOCKOUTS			STD. PKG.	UPC BAR CODE	MAX. RECOMMENDED SUPPORT LOADS	
		SIDES		BOTTOM			CEILING FAN (DYNAMIC) LBS.	FIXTURE (STATIC) LBS.
		CABLE	COND.	COND.				
325	3/8" Stud, adj. 14-1/4" – 22-1/2"	4	2-1/2"	—	25	—	No	10*
8325	3/8" Stud, adj. 14-1/4" – 22-1/2"	4	2-1/2"	—	25		No	10*

\*UL Rated at 50 lbs.

4" OCTAGON BOX – 2-1/8" DEEP – DRAWN WITH CONDUIT KO'S – 21.5 CUBIC INCHES								
CATALOG NUMBER	DESCRIPTION BRACKET & SETBACK	KNOCKOUTS			STD. PKG.	UPC BAR CODE	MAX. RECOMMENDED SUPPORT LOADS	
		SIDES	BOTTOM				CEILING FAN (DYNAMIC) LBS.	FIXTURE (STATIC) LBS.
		COND.	COND.	COND.				
165	—	4-1/2"	5-1/2"	—	50	—	No	50
166	—	4-3/4"	3-1/2" 2-3/4"	—	50	—	No	50
167	—	2-1/2", 2-3/4"	2-3/4" 3-1/2"	—	50		No	50

4" OCTAGON BOX – 2-1/8" DEEP – DRAWN WITH NONMETALLIC SHEATHED CABLE CLAMPS – 21.5 CUBIC INCHES								
CATALOG NUMBER	DESCRIPTION BRACKET & SETBACK	KNOCKOUTS			STD. PKG.	UPC BAR CODE	MAX. RECOMMENDED SUPPORT LOADS	
		SIDES		BOTTOM			CEILING FAN (DYNAMIC) LBS.	FIXTURE (STATIC) LBS.
		COND.	CABLE	COND.				
299	—	4"	2-1/2"	1-1/2"	50	—	No	50

\*Packaged in a stackable, individual chipboard box suitable for shelf display

DIMENSIONS						
CATALOG NUMBER	A	B	C	D	E	F
165	4"	2-1/8"	—	—	—	—
166	4"	2-1/8"	—	—	—	—
167	4"	2-1/8"	—	—	—	—
299	4"	2-1/8"	—	—	—	—

