



**Class II, Div. 1 & 2, Groups E,F,G  
Class III  
NEMA 3R, 4, 9(E,F,G)**

Listed - File E53290

Certified - File LR11714

See files for details or call Killark.

**FEATURES-SPECIFICATIONS**

**Applications**

- Hazardous areas due to the presence of combustible dusts or easily ignitable fibers or flyings
- Use in damp or wet locations. Either indoor or outdoor installations
- Installations such as feedmills, grain elevators, coal handling facilities, certain chemical, fertilizer and food processing industries where either hazardous or non-hazardous dusts are handled or stored
- Use in accordance with the NEC/CEC where a horsepower rated quick make-quick break disconnect means for a motor and its controller is permitted

**Features**

(30-60-100 Amp Housing Styles)

- Bolted and gasketed cabinet type construction insures the exclusion of conductive or combustible dusts from entering the assembly. Enclosure and external handle is copper-free aluminum alloy (less than 4/10 of 1%)
- Cover bolts are stainless steel
- External handle is vault type with standard provisions for locking in the "OFF" position with up to three padlocks
- Provisions for locking in "ON" position available as factory modification. (Add suffix SU40 to catalog number)
- Cutler-Hammer Type-DS Switches
- Two cast conduit hubs; one top and one bottom

- Internal disconnect handle mechanism is a sliding plate mounted to the cover

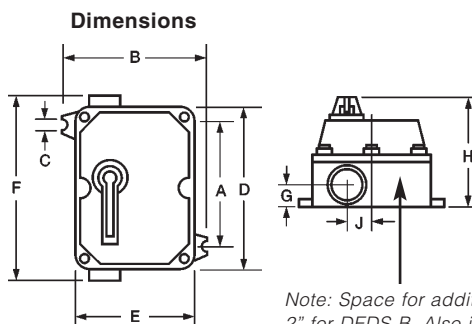
DEDS DISCONNECT SWITCHES				
CATALOG NUMBER				SWITCH RATING
ENCLOSURE WITH SWITCH	ENCLOSURE WITH SWITCH AND AUXILIARY CONTACTS	ENCLOSURE WITH SWITCH AND TWO AUXILIARY CONTACTS	ENCLOSURE ONLY (WITHOUT SWITCH OR AUXILIARY CONTACTS)	
DEDS-30	DEDS-30A	DEDS-30AA	DEDS-A	30 AMP
DEDS-60	DEDS-60A	DEDS-60AA	DEDS-A	60 AMP
DEDS-100	DEDS-100A	DEDS-100AA	DEDS-B	100 AMP

Auxiliary Switch Kits are available for separate control circuit applications. Each auxiliary switch has one normally open and one normally closed contact. Each switch includes three soldered, identified leads.

Rated 15 amps at 250 volts maximum.

DEDS ELECTRICAL RATINGS					
SWITCH AMPERES	MAXIMUM HORSEPOWER—THREE PHASE—3-POLE				
	120 VAC	240 VAC	480 VAC	600 VAC	250 VDC
30	5	10	20	25	7-1½2
60	10	20	40	60	15
100	15	30	75	75	25

DEDS DIMENSIONS										
ENCLOSURE CATALOG NUMBER	CONDUIT SIZE	A	B	C	D	E	F	G	H	J
DEDS-A	1-1/4"	8-3/8" (213)	8-13/16" (224)	7/16" (11)	10-1/4" (260)	7-3/8" (187)	12-1/8" (308)	1-3/8" (35)	6-7/8" (175)	2" (51)
DEDS-B	2"	10-7/8" (276)	9-1/8" (232)	7/16" (11)	13-7/8" (252)	7-3/4" (197)	15-3/8" (391)	1-3/4" (44)	6-7/8" (175)	2" (51)



MODIFICATIONS	
SUFFIX NUMBER	DESCRIPTION
SU3 <sup>Ⓢ</sup>	Drain and breather
SU17	100 Amp solid neutral
SU40	Lock "on" for handle
KIT-251	100 Amp ground lug

<sup>Ⓢ</sup> SU3 voids NEMA 4 ratings

Note: Space for additional drill & top conduit opening. 1-1/4" for DEDS-A. 2" for DEDS-B. Also is location for SU3 drain and breather when required.