




**Class I, Div. 1 & 2, Groups B,C,D
Class I, Zones 1 & 2, Groups IIB+H₂, IIA
Class II, Div. 1 & 2, Groups E,F,G
Class III
NEMA 3R, 7(B,C,D) 9(E,F,G)**

 Listed - File E83969
See files for details or call Killark.

Applications

- Indoor or outdoor hazardous areas where flammable gases or vapors, combustible dusts, or easily ignitable fibers or flyings may be present
- Provides overcurrent and short circuit protection of branch lighting, heating and appliance circuits

Features

- Compact rectangular enclosure with threaded cover allows easy access
- GCBB/2GCBB provided with two 3/4"-14 NPT drilled and tapped conduit openings, one top and one bottom
- 3GCBB provided with three 3/4" - 14 NPT drilled and tapped conduit openings, one top and two bottom
- 4GCBB provided with four 3/4"-14 NPT drilled and tapped conduit openings, two top and two bottom
- Cutler-Hammer Type QC Quicklag Circuit Breakers (These Assemblies include the Breakers as indicated)
- Push pull handle mechanism operates circuit breakers
- Handle mechanism supplied as standard with "Lockout" in off position
- Enclosures are made from copper-free cast aluminum alloy (less than 4/10 of 1%)
- Special combinations of breaker amperage are available, consult factory for details

FEATURES-SPECIFICATIONS

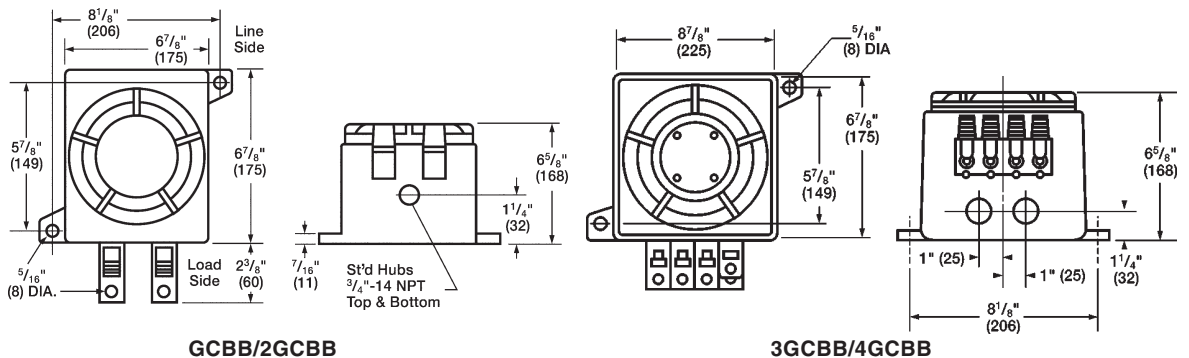
GCBB 15/40A TRIP QUICKLAG				
CATALOG NUMBER				TRIP AMPS
ONE 1-POLE 120 VOLTS AC	ONE 2-POLE 120/240 VOLTS AC	ONE 3-POLE 240 VOLTS AC	TWO 1-POLE 120/240 VOLTS AC	
GCBB-15Q1	GCBB-15Q2	GCBB-15Q3	2GCBB-15Q1	15
GCBB-20Q1	GCBB-20Q2	GCBB-20Q3	2GCBB-20Q1	20
GCBB-30Q1	GCBB-30Q2	GCBB-30Q3	2GCBB-30Q1	30
GCBB-40Q1	GCBB-40Q2	GCBB-40Q3	2GCBB-40Q1	40
GCBB-1Q	GCBB-2Q	GCBB-2Q	2GCBB-1Q	Enclosure only

GCBB 15/40A TRIP QUICKLAG				
CATALOG NUMBER				TRIP AMPS
THREE 1-POLE 120 VOLTS AC	FOUR 1-POLE 120 VOLTS AC	TWO 2-POLE 120/240 VOLTS AC	ONE 1-POLE ONE 3-POLE 120/240 VOLTS AC	
3GCBB-15Q1	4GCBB-15Q1	2GCBB-15Q2	2GCBB-15Q13	15
3GCBB-20Q1	4GCBB-20Q1	2GCBB-20Q2	2GCBB-20Q13	20
3GCBB-30Q1	4GCBB-30Q1	2GCBB-30Q2	2GCBB-30Q13	30
3GCBB-40Q1	4GCBB-40Q1	2GCBB-40Q2	2GCBB-40Q13	40
3GCBB-1Q	4GCBB-1Q	2GCBB-2Q	2GCBB-13Q	Enclosure only

MODIFICATIONS	
SUFFIX NUMBER	DESCRIPTION
SU3	Drain and breather
KIT-251	150 amp ground lug
KIT-252	250 amp ground lug
SU17	Solid neutral

INTERRUPTING RATINGS			
FRAME SIZE	VOLTAGE	AMPS ASYMMETRICAL	AMPS SYMMETRICAL
QC	120/240 VAC	10,000	10,000
QC	240 VAC	10,000	10,000
QC	24/48 DC	5,000	5,000
QC	62/80 DC	3,800	3,800

Dimensions



DE