

HINGE 4 & 9 Stainless Steel



HINGE-10L and HINGE-10R
HINGE-11L and HINGE-11R
Extruded Aluminum



KDB-1
Drain or
breather



KB1B
Breather
(Group B)



KB1D
Drain
(Group B)



GL/GLX Series
Lens Cover

FEATURES-SPECIFICATIONS

HINGE

Applications

Hinges are installed on flanged enclosures to allow for easier and safer installation and when performing maintenance on internal components.

HINGES		
CATALOG NUMBER	SERIES USED	MATERIAL
HINGE-4	DB	Stainless steel
HINGE-9	EXB, XB, XJB	Stainless steel
HINGE-10L	EXB, XB, XJB;	Extruded aluminum
HINGE-10R	Larger sizes	Extruded aluminum
HINGE-11L	EXB, XB,	Extruded aluminum
HINGE-11R	XJB, DB	Extruded aluminum

NOTE: Hinge 4 & 9 are single hinge and two required per enclosure.

- Hinge 10L-10R-11L-11R include two hinges
- Hinge 10L & 11L are for mounting on left side of enclosure
- Hinge 10R & 11R are for mounting on right side of enclosure
- All hinges supplied with stainless steel mounting screws and pins

KD/KB
DRAINS & BREATHERS

Applications

When installed in the top of an enclosure, these fittings act as breathers. Bottom installations permit water to drain from the enclosure continuously. All drains and breathers are designed for use in 1/2" hubs or 1/2" drilled and tapped conduit openings.

DRAINS AND BREATHERS	
CATALOG NUMBER	SUITABILITY
KDB-1 ^① ③	Class I, Div. 1 & 2, Groups C, D Class II, Div. 1 & 2, Groups E, F, G Class III
KB1B ^②	Class I, Div. 1 & 2, Groups B, C, D Class II, Div. 1 & 2, Groups E, F, G Class III, NEMA 3
KB1D ^②	Class I, Div. 1 & 2, Groups B, C, D Class II, Div. 1 & 2, Groups E, F, G Class III, NEMA 3

- ① U.L. Listed and CSA Certified.
- ② U.L. Listed only
- ③ FM Approved

Material/Finish
Stainless Steel - KDB-1
Aluminum - KB1B & KB1D

GL/GLX ROUND GLASS
LENS COVERS
(MUST BE FACTORY
INSTALLED)

Applications

Use GL Series lens on:

- All EXB Boxes
- XB Boxes with 12" width
- XJB 16" x 48" and XJB 24" x 24"

Use GLX Series lens on:

- All DB Boxes
- XB Boxes with 4", 6", 8", 10" width
- All XJB Boxes except 16" x 48" and 24" x 24"

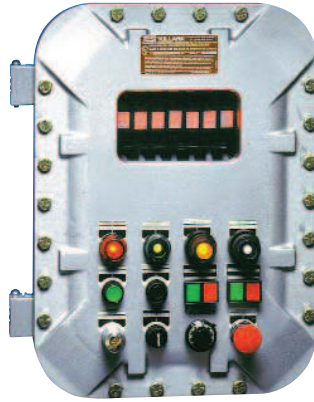
Refer to recommended minimum spacing table. Series GL and GLX have identical viewing lens diameter and outside diameter. The difference is in the thread pitch.

LENS COVER ASSEMBLIES			
CATALOG NUMBER		VIEWING DIAMETER	OUTSIDE DIAMETER
GL SERIES	GLX SERIES		
GL-275	GLX-275	2-3/4"	4-5/8"
GL-300	GLX-300	2-61/64"	5-1/4"
GL-375	GLX-375	3-45/64"	6-1/4"
GL-537	GLX-537	5-3/8"	7-7/8"
GL-600	GLX-600	6"	8-7/8"
GL-775	GLX-775	7-3/4"	10-1/4"

GL/GLX RECOMMENDED MINIMUM SPACING — CENTERLINE TO CENTERLINE						
GLASS LENS TYPE	GL/GLX-275	GL/GLX-300	GL/GLX-375	GL/GLX-537	GL/GLX-600	GL/GLX-775
GL/GLX-275	7.0	7.5	7.75	8.75	9.0	10.0
GL/GLX-300	7.5	8.0	8.25	9.25	9.5	10.5
GL/GLX-375	7.75	8.25	8.5	9.5	9.75	10.75
GL/GLX-537	8.75	9.25	9.5	10.5	10.75	11.75
GL/GLX-600	9.0	9.5	9.75	10.75	11.0	12.0
GL/GLX-775	10.0	10.5	10.75	11.75	12.0	13.0

Note: For spacing less than minimum in table, (shown in inches) consult factory.





FEATURES-SPECIFICATIONS

Applications

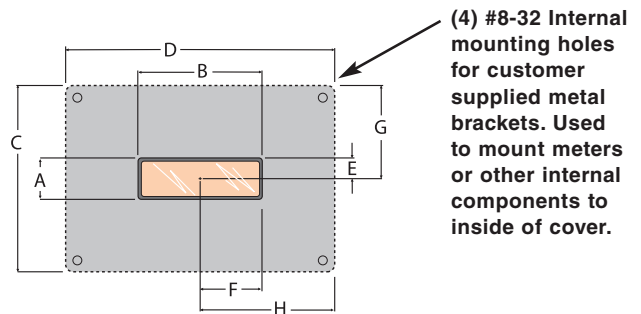
Rectangular glass lens windows can be factory installed to enable viewing of digital read out meters and devices such as:

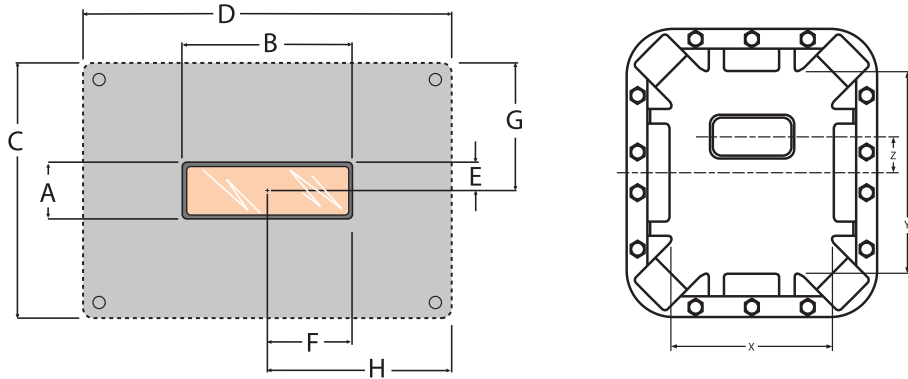
- Volt meters
- Flow meters
- Gas analyzers
- Process receivers, transmitters and controllers

Ordering Information

Rectangular lens option must be factory installed and ordered in conjunction with appropriate EXB Series enclosure. See page E21. Submit drawing or sketch to specify lens location. Consult factory for multi-lens arrangements.

GLXR RECTANGULAR LENS COVER ASSEMBLIES								
CATALOG NUMBER	VIEWING AREA		MINIMUM SPACE		OTHER DIMENSIONS			
	A	B	C	D	E	F	G	H
GLXR13	1"	3"	4.5"	6.5"	.5"	1.5"	2.25"	3.25"
GLXR24	2"	4"	5.5"	7.5"	1"	2"	2.75"	3.75"
GLXR27	2"	7"	5.5"	10.5"	1"	3.5"	2.75"	5.25"
GLXR34	3.5"	4"	7"	7.5"	1.75"	2"	3.5"	3.75"
GLXR36	3"	6"	6.5"	9.5"	1.5"	3"	3.25"	4.75"
GLXR47	4"	7"	7.5"	10.5"	2"	3.5"	3.75"	5.25"
GLXR59	5"	9"	8.5"	12.5"	2.5"	4.5"	4.25"	6.25"
GLXR99	9"	9"	12.5"	12.5"	4.5"	4.5"	6.25"	6.25"





FEATURES-SPECIFICATIONS

GLXR LAYOUT GUIDE										
CATALOG NUMBER	USEABLE COVER AREA		Z = MAXIMUM CENTER LINE OF COVER TO CENTERLINE OF GLASS LENS							
	X	Y	GLXR13	GLXR24	GLXR27	GLXR34	GLXR36	GLXR47	GLXR59	GLXR99
EXB-664 N34	5"	5"	N	N	N	N	N	N	N	N
EXB-886 N34	7"	7"	1-1/4"	3/4"	N	N	N	N	N	N
EXB-8104 N34	7"	9"	2-1/4"	1-3/4"	N	1"	N	N	N	N
EXB-8106 N34	7"	9"	2-1/4"	1-3/4"	N	1"	N	N	N	N
EXB-8126 N34	7"	11"	3-1/4"	2-3/4"	R •	2"	R •	N	N	N
EXB-8128 N34	7"	11"	3-1/4"	2-3/4"	R •	2"	R •	N	N	N
EXB-10106 N34	9"	9"	2-1/4"	1-3/4"	N	1"	N	N	N	N
EXB-10108 N34	9"	9"	2-1/4"	1-3/4"	N	1"	N	N	N	N
EXB-10146 N34	9"	13"	4-1/4"	3-3/4"	R	3"	R	R	R	N
EXB-10148 N34	9"	13"	4-1/4"	3-3/4"	R	3"	R	R	R	N
EXB-12126 N34	10"	10"	2-3/4"	2-1/4"	2-1/4"	1-1/2"	1-3/4"	1-1/4"	N	N
EXB-12128 N34	10"	10"	2-3/4"	2-1/4"	2-1/4"	1-1/2"	1-3/4"	1-1/4"	N	N
EXB-12186 N34	10"	16"	5-3/4"	5-1/4"	5-1/4"	4-1/2"	4-3/4"	4-1/4"	R •	N
EXB-12188 N34	10"	16"	5-3/4"	5-1/4"	5-1/4"	4-1/2"	4-3/4"	4-1/4"	R •	N
EXB-12246 N34	10-1/4"	22-1/4"	8-7/8"	8-3/8"	8-3/8"	7-5/8"	7-7/8"	7-3/8"	R	N
EXB-12248 N34	10-1/4"	22-1/4"	8-7/8"	8-3/8"	8-3/8"	7-5/8"	7-7/8"	7-3/8"	R	N
EXB-122412 N34	10-1/4"	22-1/4"	8-7/8"	8-3/8"	8-3/8"	7-5/8"	7-7/8"	7-3/8"	R	N
EXB-12368 N34	11"	35"	15-1/4"	14-3/4"	14-3/4"	14"	14-1/4"	13-3/4"	R •	N
EXB-123610 N34	11"	35"	15-1/4"	14-3/4"	14-3/4"	14"	14-1/4"	13-3/4"	R •	N
EXB-14146 N34	13"	13"	4-1/4"	3-3/4"	3-3/4"	3"	3-1/4"	2-3/4"	2-1/4"	*
EXB-14148 N34	13"	13"	4-1/4"	3-3/4"	3-3/4"	3"	3-1/4"	2-3/4"	2-1/4"	*
EXB-16166 N34	14"	14"	4-3/4"	4-1/4"	4-1/4"	3-1/2"	3-3/4"	3-1/4"	2-3/4"	3/4"
EXB-16168 N34	14"	14"	4-3/4"	4-1/4"	4-1/4"	3-1/2"	3-3/4"	3-1/4"	2-3/4"	3/4"
EXB-16248 N34	14"	22"	8-3/4"	8-1/4"	8-1/4"	7-1/2"	7-3/4"	7-1/4"	6-3/4"	4-3/4"
EXB-162410 N34	14"	22"	8-3/4"	8-1/4"	8-1/4"	7-1/2"	7-3/4"	7-1/4"	6-3/4"	4-3/4"
EXB-18186 N34	16"	16"	5-3/4"	5-1/4"	5-1/4"	4-1/2"	4-3/4"	4-1/4"	3-3/4"	1-3/4"
EXB-18188 N34	16"	16"	5-3/4"	5-1/4"	5-1/4"	4-1/2"	4-3/4"	4-1/4"	3-3/4"	1-3/4"
EXB-18248 N34	16"	22"	8-3/4"	8-1/4"	8-1/4"	7-1/2"	7-3/4"	7-1/4"	6-3/4"	4-3/4"
EXB-182410 N34	16"	22"	8-3/4"	8-1/4"	8-1/4"	7-1/2"	7-3/4"	7-1/4"	6-3/4"	4-3/4"
EXB-18308 N34	16"	29"	12-1/4"	11-3/4"	11-3/4"	10"	11-1/4"	9-3/4"	9-1/4"	8-1/4"
EXB-18368 N34	16"	34"	14-3/4"	14-1/4"	14-1/4"	12-1/2"	13-3/4"	12-1/4"	11-3/4"	10-3/4"
EXB-183610 N34	16"	34"	14-3/4"	14-1/4"	14-1/4"	12-1/2"	13-3/4"	12-1/4"	11-3/4"	10-3/4"
EXB-203611 N34	18-7/8"	34-7/8"	15-3/16"	14-11/16"	14-11/16"	13-15/16"	14-3/16"	13-11/16"	13-3/16"	11-3/16"
EXB-24248 N34	22"	22"	8-3/4"	8-1/4"	8-1/4"	7-1/2"	7-3/4"	7-1/4"	6-3/4"	4-3/4"
EXB-242410 N34	22"	22"	8-3/4"	8-1/4"	8-1/4"	7-1/2"	7-3/4"	7-1/4"	6-3/4"	4-3/4"
EXB-24308 N34	22"	28"	11-3/4"	11-1/4"	11-1/4"	9-1/2"	10-3/4"	9-1/4"	9-3/4"	7-3/4"
EXB-24368 N34	22"	34"	14-3/4"	14-1/4"	14-1/4"	12-1/2"	13-3/4"	12-1/4"	12-3/4"	10-3/4"
EXB-243610 N34	22"	34"	14-3/4"	14-1/4"	14-1/4"	12-1/2"	13-3/4"	12-1/4"	12-3/4"	10-3/4"

Symbols: N = Enclosure will not accommodate this lens size
 R = Rotate lens 90°, consult factory for layout assistance
 • = Voids UL/CSA/CENELEC certifications
 * = Indicates center line