



GRSA



GRR

Class I, Div. 1 & 2, Groups C,D  
Class II, Div. 1 & 2, Groups E,F,G  
Class III



Listed - File E10514



Certified - File LR11716

See files for details or call Killark.

FEATURES-SPECIFICATIONS

GRSA

Features

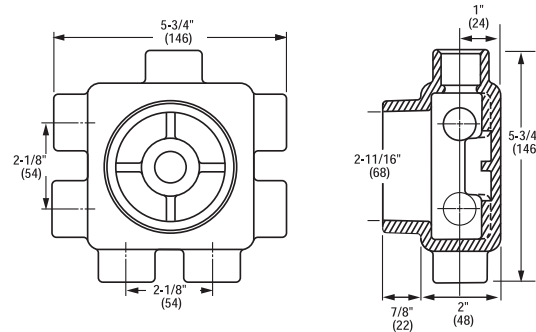
- Cast conduit hubs with integral bushings
- Cover included
- Replacement cover catalog number **GECBC**
- Five close-up plugs included
- Sealing, hub, dome covers and gaskets available (page F57)

Material/Finish

- Copper-free aluminum (less than 4/10 of 1%)
- Electrostatically applied powder coating

GRSA W/BLANK COVER		
CATALOG NUMBER	HUBS	VOLUME CU. IN.
GRSA	Furnished with eight 3/4" hubs including one 3/4" flush hub in back center	26.5

Dimensions



GRR

Features

- Cast conduit hubs with integral bushings
- Blank cover included
- Replacement cover catalog number **GRRBC**
- Compact size
- Supplied with five hubs and three close-up plugs

Material/Finish

- Copper-free aluminum (less than 4/10 of 1%)
- Electrostatically applied powder coating

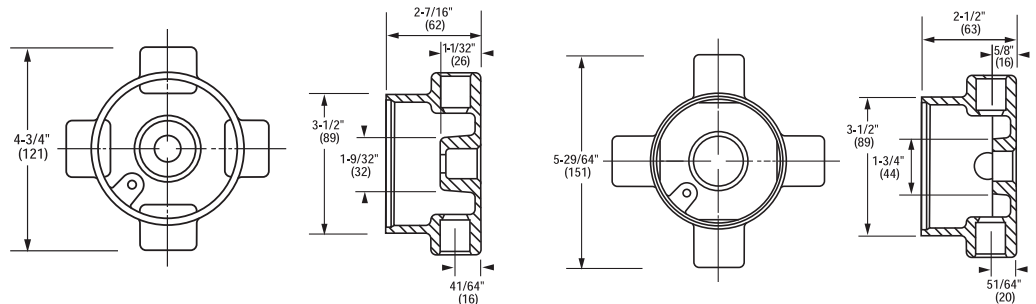
GRR W/BLANK COVER		
CATALOG NUMBER	HUB SIZE	VOLUME CU. IN.
GRR-1	1/2"	13.0
GRR-2	3/4"	13.0
GRR-3	1"	14.0

Blank Cover-only-GRRBC

GASKET (RUBBER)
CATALOG NUMBER
GEC-RG

EXTENSION*
CATALOG NUMBER
GRCEX-0

\* Adds 2-7/8" to body depth and 16.48 cu. in.



GRR 1 & 2

GRR-3





**GRSS**



**GRSSA**

**Class I, Div. 1 & 2, Groups C,D  
Class II, Div. 1 & 2, Groups E,F,G  
Class III**



Listed - File E10514



Certified - File LR11716

See files for details or call Killark.

**FEATURES-SPECIFICATIONS**

**GRSS/GRSSA**

**Features**

- Internal hubs
- Blank cover included (Cat. No. GRRBC)
- Compact design and multiple hub configurations
- Furnished with internal ground screw
- Cast-in brackets on cover for use with breaker-bar tools

**GRSS Type**

Furnished with seven internal hubs, two hubs are on the top and bottom, one each on the two sides and one hub in the back. Four close-up plugs supplied. Series GUM unions can be used.

**GRSSA Type**

Furnished with 13 hubs, two on each side and five in back. Five close-up plugs are supplied.

**Material/Finish - Aluminum Body**

- Copper-free aluminum (less than 4/10 of 1%)
- Electrostatically applied powder coating

**Material/Finish - Duraloy Iron Body**

- Duraloy iron alloy
- Tri-Coat finish of Electro zinc, Chromate Sealant and electrostatically applied powder coating

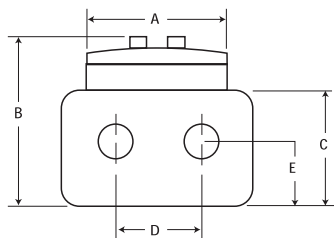
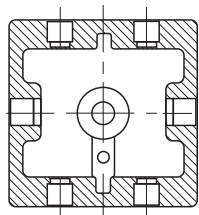
**Material/Finish - GR Series Cover**

- Copper-free aluminum (less than 4/10 of 1%)
- Electrostatically applied powder coating

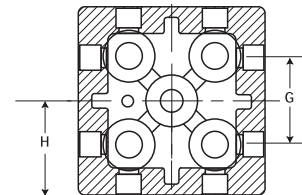
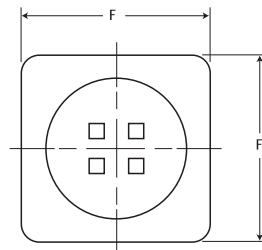
GRSS/GRSSA						
KILLARK ALUM.		DURALOY IRON		HUB SIZE	NUMBER OF OPENINGS	NUMBER OF CLOSE-UP PLUGS FURNISHED
GRSS-1	GRSS-1M	GRSS-2	GRSS-2M			
GRSS-1	GRSS-1M	GRSS-2	GRSS-2M	1/2"	7	4
GRSS-2	GRSS-2M	GRSS-3	GRSS-3M	3/4"	7	4
GRSS-3	GRSS-3M	GRSSA-1	-	1"	7	4
GRSSA-1	-	GRSSA-2	-	1/2"	13	5
GRSSA-2	-			3/4"	13	5

GASKET (RUBBER)		EXTENSION *	
CATALOG NUMBER		CATALOG NUMBER	
GEC-RG		GRCEX-0	

\* Adds 2-7/8" to body depth and 16.48 cu. in.



**GRSS Dimensions**



**GRSSA Dimensions**

GRSS/GRSSA DIMENSIONS													
CATALOG NUMBER	HUB SIZE	NO. OF OPENINGS	CLOSE-UP PLUGS FURNISHED	DIMENSIONS IN INCHES								COVER OPENINGS	VOLUME CU. IN.
				A	B	C	D	E	F	G	H		
GRSS-1	1/2"	7	4	3-1/2"	3-1/2"	2-3/8"	2-1/8"	1-3/16"	4-5/8"	N/A	1-1/4"	3-1/8"	29
GRSS-2	3/4"	7	4	3-1/2"	3-1/2"	2-3/8"	2-1/8"	1-3/16"	4-5/8"	N/A	1-1/4"	3-1/8"	29
GRSS-3	1"	7	4	3-1/2"	3-1/2"	2-3/8"	2-1/8"	1-3/16"	4-5/8"	N/A	1-1/4"	3-1/8"	29
GRSSA-1	1/2"	13	5	3-1/2"	3-1/2"	2-3/8"	2-1/8"	1-3/16"	4-5/8"	2-1/8"	1-1/4"	3-1/8"	20
GRSSA-2	3/4"	13	5	3-1/2"	3-1/2"	2-3/8"	2-1/8"	1-3/16"	4-5/8"	2-1/8"	1-1/4"	3-1/8"	20



**KILLARK®**

F