



NEMA 5-15



NEMA 6-15



NEMA 5-20



NEMA 6-20

**2-Pole 3-Wire Grounding**  
15 Amp 125V; 15 Amp 250V; 20 Amp 125V; 20 Amp 250V,  
Straight Blade Plugs and Connectors

**Features - Specifications**

- Impact/chemical-resistant nylon construction
- Hinged one-piece body opens wide for quick and easy wiring
- Molded finger grips promote safe, sure handling
- Enclosed terminals provide secure, internally-clamped connections
- Adjustable cord inserts accommodate .20-.660" (5.6-16.8) diameter cord
- Tri-drive terminal and assembly screws. Slotted, Phillips and Robertson head

- High-visibility yellow
- Amperage/voltage rating molded in face
- UL Listed File # E1381 Guide # AXUT
- CSA Certified

**5966VBK & 5969VBK**

- Insulation piercing blades - no terminal screws to tighten - eliminates need to strip individual conductors
- Accommodates cord from .230 to .360 (5.3-9.1)
- A one-piece housing opens wide for lay in wiring
- UL Listed File #E1381 Guide #AXUT
- CSA Certified
- Ratings molded on device



**NEW!**

**BRY5965Y**



**NEW!**

**BRY5969Y**



**5966VBK**



**5969VBK**

**15AMP 125V NEMA 5-15**

CATALOG NUMBER	DESCRIPTION
<b>BRY5965Y</b> Ⓜ	High visibility, yellow nylon plug
<b>BRY5969Y</b> Ⓜ	High visibility, yellow nylon connector
<b>8115GY</b> Ⓜ	Gray, hospital grade, nylon plug
<b>5966VBK</b> Ⓜ	Black nylon plug, insulation displacement, display pak
<b>5969VBK</b> Ⓜ	Black nylon connector, insulation displacement, display pak

**20 AMP 125V NEMA 5-20**

CATALOG NUMBER	DESCRIPTION
<b>5364Y</b> Ⓜ	High visibility, yellow nylon plug
<b>5369Y</b> Ⓜ	High visibility, yellow nylon connector

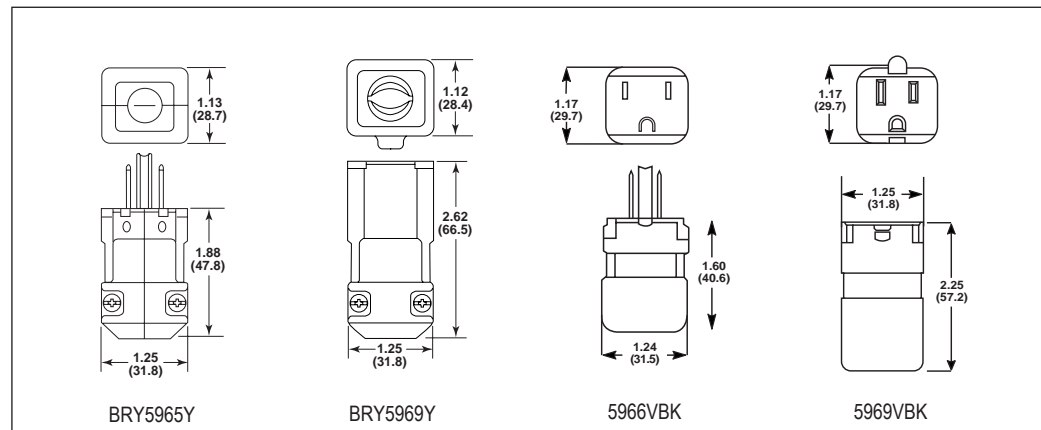
**15 AMP 250V NEMA 6-15**

CATALOG NUMBER	DESCRIPTION
<b>5666Y</b> Ⓜ	High visibility, yellow nylon plug
<b>5669Y</b> Ⓜ	High visibility, yellow nylon connector

**20 AMP 250V NEMA 6-20**

CATALOG NUMBER	DESCRIPTION
<b>5464Y</b> Ⓜ	High visibility, yellow nylon plug
<b>5469Y</b> Ⓜ	High visibility, yellow nylon connector

**PRODUCT DIMENSIONS** - ( ) Indicates mm dimensions



① Product shown without display pak.  
② See page B-3 for additional information.  
③ To be discontinued when existing stocks are exhausted.

Specifications are subject to change without notice.